

# NEW 28MT STARTER MOTORS

## 150100

12 Volt  
10-Tooth Drive  
Bottom Mount  
7.3L International Block



Rplc. Mercruiser Diesel # 50-805833T

## 150104

24 Volt  
10-Tooth Drive  
Fits Cummins  
6.2L Engine



Rplc. Delco Remy # 1113277

## 150101

12 Volt  
10-Tooth Drive  
Fits Mercruiser Diesel



Rplc. Mercruiser Diesel # 50-805991

## 150105

12 Volt  
10-Tooth Drive  
Fits Perkins & Others



Rplc. Delco Remy # 1113274

## 150102

12 Volt  
10-Tooth Drive  
Fits Hyster, Perkins  
& Toro



Rplc. Delco Remy #'s 1113275 & 1113278

## 150106

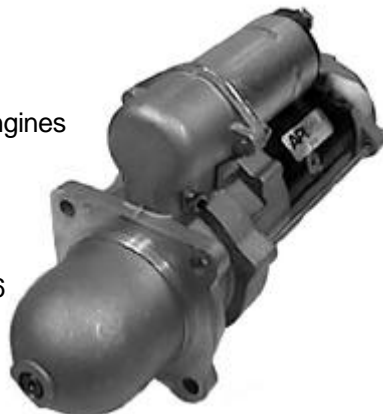
12 Volt  
12-Tooth Drive  
Fits Allis Chalmers,  
Perkins & Waukesha



Rplc. Delco Remy #'s 1113279,  
1113280,  
1109272 &  
1998334

## 150103

12 Volt  
10-Tooth Drive  
Fits Cummins 4.9L & 5.9L Engines  
B-Series # 3916854  
Ford 6.9L Navistar Engines



Rplc. Delco Remy # 1113276

## 150107

12 Volt  
10-Tooth Drive  
Fits Clark, Duetz &  
Perkins 6.354  
RPLC - CAV45G123M



Rplc. Delco Remy # 1113281

# NEW 28MT STARTER MOTORS

## 150108

12 Volt  
10-Tooth Drive  
Wet Clutch  
Fits Hyster, Perkins  
& White



Rplc. Delco Remy # 1113290

## 150112

12 Volt  
10-Tooth Drive  
Fits Lister-Petter



Rplc. Delco Remy # 10479607

## 150109

12 Volt  
10-Tooth Drive  
Wet Clutch  
Fits Consolidated Diesel  
& Cummins



Rplc. Delco Remy # 1113292

## 150113

12 Volt  
12-Tooth Drive  
Fits Lister-Petter



Rplc. Delco Remy # 10479613

## 150110

12 Volt  
Fits GM 6.2L & 6.5L  
Diesel Engines



Rplc. Delco Remy # 1113295

## 150114

24 Volt  
10-Tooth Drive  
Wet Clutch  
Fits Cummins  
Diesel Engine



Rplc. Delco Remy # 10479616

## 150111

24 Volt  
12-Tooth Drive  
Fits Lister-Petter



Rplc. Delco Remy # 10479600 &  
1998351

## 150115

12 Volt  
10-Tooth Drive  
Fits Cummins  
Diesel Engine



Rplc. Delco Remy # 10479617